



## Outline

**See the difference multi-megapixel resolution makes!**

Lumenera's Le575 series of megapixel cameras are designed for general and high-end security applications.

Lumenera has simplified IP camera installation with a simple plug-and-play process. Intuitive user interface viewed with most web browsers provides standard camera control. Power over Ethernet (PoE) simplifies installation and reduces cabling and installation costs.

Capturing full 2560 x 1920 resolution at 6 fps, these cameras deliver outstanding picture quality and performance. JPEG still-images or live MJPEG streaming video, are provided across a standard 10/100BaseT network interface. Transfer of images via HTTP, RTP/RTSP, or FTP.

The I/O connector provides an interface to an external alarm sensor or control of peripheral equipment such as IR lighting and PTZ. E-mail or UDP alarm notification provides the date, time, and camera IP address. On-board memory buffers supply still images via FTP that precede and follow alarm events.

Programmable day/night settings automatically switch to enhanced low-light mode. Optional – True day/night module provides automatic sliding IR cut filter. When integrated with NIR illuminators, provides outstanding nighttime performance. DC iris lenses are supported using the industry standard four conductor socket.

The user-defined motion detection parameters across multiple zones provide more accurate triggering of alarms, while programmable privacy zones ensure compatibility with all regulations.

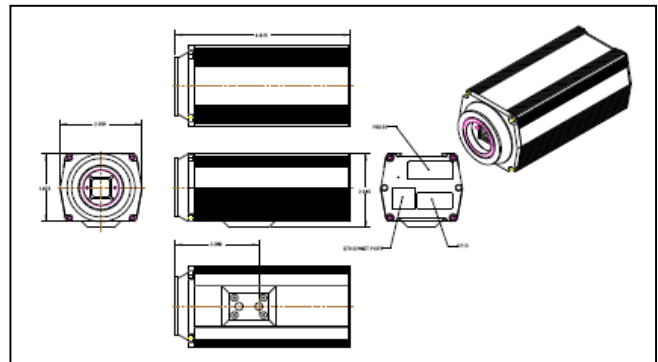
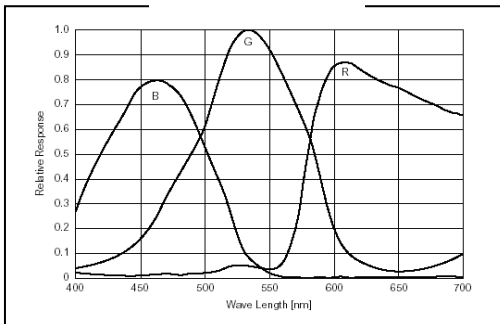
The Le575's compact, all-metal body can be mounted stand-alone or by means of standard environmental enclosures. Call with your enclosure requirements today.

## Product Features

- Easy installation and set-up
- Power over Ethernet (PoE)
- ~2000 lines of resolution, color, progressive scan, 5.0 megapixel sensor
- 6 fps at full 2560 x 1920 at full resolution, 26 fps at 1024 x 768
- Feature rich camera functions:
  - Auto white balance and auto exposure
  - True day/night settings, IR filter option
  - Configurable compression ratio
  - Multiple motion detection zones
- I/O control of alarms, DC iris, PTZ, lighting or other peripherals
- Optional true day/night functionality
- Image transfer via HTTP, FTP, RTP, or Email
- Camera Control via HTTP, XML-RPC, Telnet or Microsoft COM
- Security / password protection
- FCC Class B, CE Certified
- CS lens mount, C-mount adapter available
- Compatible with most Operating Systems (Windows Vista, Windows XP, as well as Linux and Mac)
- Full one (1) year warranty

Image Sensor	<b>1/2.5" format, CMOS, color, 5.7mm x 4.3mm array</b>
Effective Pixels	<b>2560 x 1920, 2.2µm square pixels</b>
Frame Rate	<b>Captures 6 fps at full resolution, 26 fps at 1024x768</b>
Dynamic Range	<b>55dB</b>
Sensitivity	<b>2.0 lux at F1.0</b>
Auto Exposure	<b>Automatic / Manual</b>
White Balance	<b>Automatic / Manual</b>
Dimensions (W x H x D)	<b>1.9" x 2.5" x 5.0" (not including lens)</b>
Mass	<b>&lt;300g</b>
Power Requirement	<b>IEEE 802.3af Power over Ethernet (power mode A or B) or external 12VDC</b>
Power Consumption	<b>&lt;4 Watts</b>
Operating Temperature	<b>-10° C to +50° C (environmental enclosure will provide extended temperatures with fan / heater)</b>
Operating Humidity	<b>5%-95%, non-condensing</b>
Interface Connector	<b>RJ45 Cat 5e twisted pair cable, 10/100baseT Ethernet, PoE</b>
Lens Mount	<b>Adjustable CS-Mount (lens not included)</b>

Color Response



#### Recommended PC Specifications

O/S: Windows XP (SP 2) or Vista  
CPU: 2.8GHz or above Pentium computer (required for full frame rate preview)  
600Mhz or above Pentium compatible computer (for basic functionality)  
Network: 100 Mbps Ethernet LAN, PoE  
Browser: Internet Explorer v7.0

#### Ordering Information

Le575CP – 5.0 Megapixel PoE Color Camera  
Le575CP-DN – 5.0 Megapixel PoE Color Camera w/ optional Day/Night module  
Lu8501 – Power Supply w International Plugs, 12VDC/2A Output