



Outline

See the difference megapixel resolution makes!

Lumenera's Le175MP megapixel cameras are designed for general and high-end security applications.

Lumenera has simplified IP camera installation with a straightforward plug-and-play process. Intuitive user interface viewed with most web browsers provides standard camera control. Power over Ethernet (PoE) simplifies installation and reduces cabling and installation costs.

Capturing full 1280x1024 resolution at 30 fps, these cameras deliver outstanding picture quality and performance. Adjustable JPEG compressed still-images or live MJPEG streaming video, are provided across a standard 10/100BaseT network interface. Transfer of images via email, FTP, RTP or HTTP.

The I/O connector provides an interface to an external alarm sensor or control of peripheral equipment such as IR lighting and PTZ. E-mail or UDP alarm notification provides the date, time, and camera IP address. On-board memory buffers supply still images via FTP that precede and follow alarm events.

DC iris lenses are supported using the industry standard four conductor socket.

The user defined motion detection parameters across multiple zones provide more accurate triggering of alarms, while programmable privacy zones ensure compatibility with all regulations.

The Le175MP's compact, all-metal body can be mounted stand-alone or inside standard environmental enclosures. Call with your enclosure requirements today.

Product Features

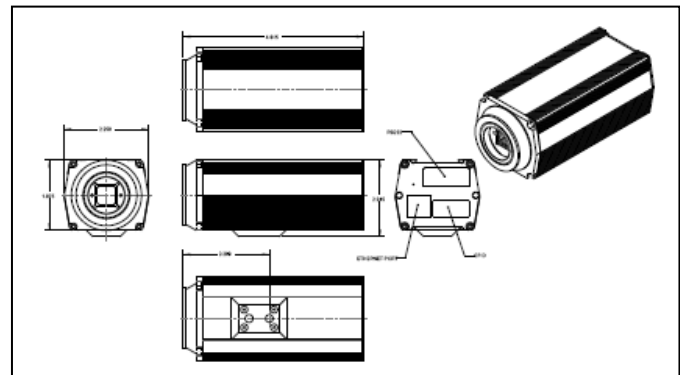
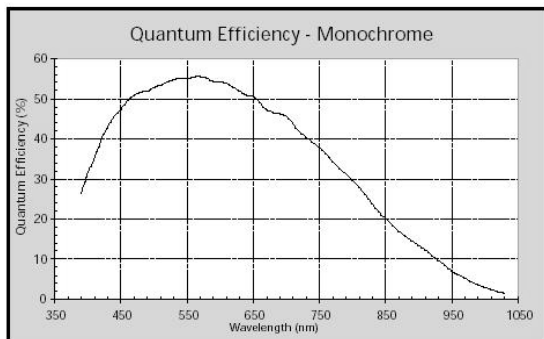
- Easy installation and set-up
- Power over Ethernet (PoE)
- Monochrome, progressive scan, 1.3 megapixel sensor
- 30 fps at full 1280x1024 (SXGA) resolution
90 fps at 640x480 (VGA) resolution
- Feature rich camera functions:
 - Auto exposure
 - DC auto iris
 - Configurable compression ratio
 - Multiple motion detection zones
- I/O control of alarms, PTZ, lighting or other peripherals
- Image transfer via HTTP, FTP or RTP
- Camera control via HTTP, XML-RPC, Telnet or Microsoft COM
- Security / password protection
- FCC Class B, CE Certified
- CS lens mount provided standard, C-mount adapter available
- Compatible with most Operating Systems (Windows Vista, Windows XP, as well as Linux and Mac)
- Full 1 year warranty

Specifications

Le175MP

Image Sensor	1/2" format, CMOS, monochrome, 6.7mm x 5.3 mm active area
Effective Pixels	1280 x 1024, 5.2µm square pixels
Frame Rate	Captures 30 fps at 1280x1024, 90 fps at 640x480
Dynamic Range	55dB
Sensitivity	0.5 lux at F 1.0
Auto Exposure	Automatic / Manual
Dimensions (W x H x D)	1.9" x 2.25" x 5.0" (not including lens and power connector)
Mass	<300g
Power Requirement	External 12 V DC. Optional: IEEE 802.3af Power over Ethernet
Power Consumption	< 4 Watts
Operating Temperature	-10° C to +50° C (environmental enclosure will provide extended temperatures with fan / heater)
Operating Humidity	5%-95%, Non-condensing
Interface Connector	RJ45 twisted pair cable, 10/100baseT Ethernet, PoE
Lens Mount	Adjustable CS-Mount (lens not included)
Image Buffer	64 MB (~350 full resolution JPEG images)

Wavelength Response



Recommended PC Specifications

O/S: Windows Vista or XP (SP 3)

CPU: 2.8GHz or above Pentium computer (required for full frame rate preview)

600Mhz or above Pentium compatible computer (for basic functionality)

Network: 100 Mbps Ethernet LAN

Browser: Internet Explorer 8.0

Ordering Information

Le175MP – 1.3 Megapixel PoE Monochrome Camera

Lu8501 – Power Supply w International Plugs, 12VDC/2A Output