



## Outline

### ***See the difference multi-megapixel resolution makes!***

Lumenera's Le11059 series of 11 megapixel cameras are designed for higher-end security applications, particularly in critical surveillance applications where intimate scene detail is required.

Capturing full 4000x2656 resolution at 3 fps, these cameras deliver outstanding picture quality and performance. Adjustable JPEG and MJPEG compressed still-images or streaming video are provided across a standard 10/100BaseT network interface.

Lumenera has simplified IP camera installation with a straightforward plug-and-play process. Intuitive user interface viewed with most web browsers provides standard camera control.

The I/O connector provides an interface to an external alarm sensor or control of peripheral equipment such as; IR lighting, strobe and PTZ. Alarm notification provides the date, time and camera IP address.

Programmable day/night settings automatically switch to enhanced low-light mode. The monochrome camera variant is well suited for use with NIR illuminators, providing outstanding nighttime performance.

On-board memory buffers supply still images that precede and follow alarm events. Transfer of images via email, FTP, RTP or HTTP.

Lumenera's Le11059 is provided with a larger SLR Canon Bayonet-Mount – to provide remote control of focus and iris over IP through standard SLR lenses. Camera can be mounted stand-alone or by means of standard environmental enclosures. Call with your enclosure requirements today.

## Product Features

- Incredible image detail**
- Remote focus control over IP**
- Auto iris, or remote iris control over IP**
- Easy installation and set-up**
- 2600+ lines of resolution, color or monochrome, progressive scan, 10.6 megapixel, CCD sensor**
- 3 fps at full 4000 x 2656 resolution  
8.5 fps at 4000 x 640 resolution**
- Feature rich camera functions:**
  - Auto white balance and auto exposure**
  - Day/Night settings**
  - Configurable compression ratio**
- I/O control of alarms, strobe, PTZ, lighting or other peripherals**
- Image transfer via HTTP, FTP, RTP, or Email**
- Camera control via HTTP, XML-RPC, Telnet or Microsoft COM**
- Security / password protection**
- FCC Class B, CE Certified**
- SLR Canon Bayonet-Mount standard**
- Compatible with most Operating Systems (Windows™ 98 SE, Windows ME, Windows 2K, Windows NT and Windows XP, as well as Linux and Mac)**
- Full one (1) year warranty**

# Specifications

# Le11059

Image Sensor	<b>43.3mm (diagonal), CCD, color or mono, equivalent 35mm sensor</b>
Effective Pixels	<b>4000 x 2656, 9.0µm square pixels</b>
Frame Rate	<b>Captures 3 fps at 4000 x 2656, 8.5 fps at 4000 x 640</b>
Dynamic Range	<b>&gt;60dB</b>
Sensitivity	<b>0.1 lux at F1.0</b>
Focus	<b>Remote Focus (when used with Canon SLR lens)</b>
Auto Iris	<b>Automatic / Manual (when used with Canon SLR lens)</b>
Auto Exposure	<b>Automatic / Manual</b>
White Balance	<b>Automatic / Manual</b>
Dimensions	<b>3.25"(W) x 2.98"(H) x 7.777"(D) not including lens</b>
Mass	<b>1kg</b>
Power	<b>12VDC, ~15 Watts</b>
Operating Temperature	<b>-10° C to +50° C (environmental enclosure will provide extended temperatures with fan / heater)</b>
Operating Humidity	<b>5%-95%, non-condensing</b>
Interface	<b>RJ45 Cat 5e twisted pair cable, 10/100baseT Ethernet</b>
Lens Mount	<b>SLR Canon EF Bayonet-Mount - lens not included</b>
Image Buffer	<b>128 MB (~100 full resolution JPEG images)</b>

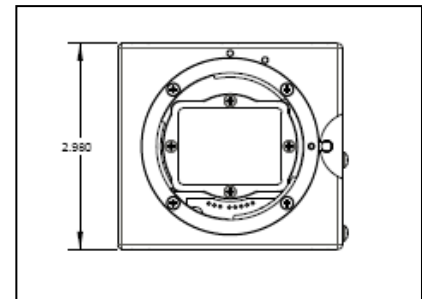
## Recommended PC Specifications

O/S: Windows XP (SP 2)  
CPU: 2.8GHz or above Pentium computer (required for full frame rate preview)

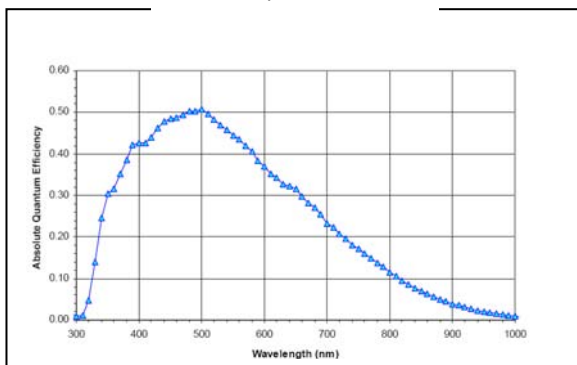
600Mhz or above Pentium compatible computer (for basic functionality)

Network: 100 Mbps Ethernet LAN  
Browser: Internet Explorer v7.0

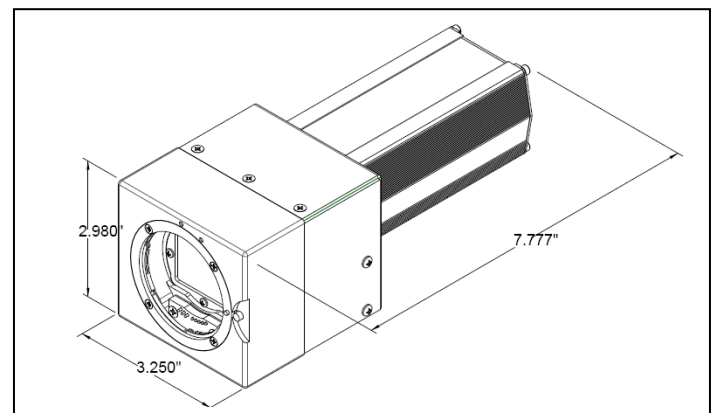
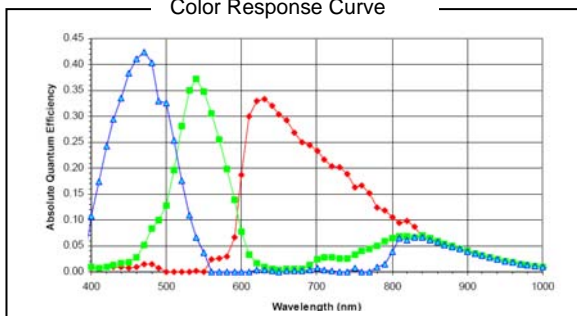
## Mechanical Drawings:



Mono Response Curve



Color Response Curve



## Ordering Information

Le11059C – 11 Megapixel Canon EF-Mount Color Camera

Le11059M – 11 Megapixel Canon EF-Mount Monochrome Camera

Lu8501 – Power Supply w International Plugs, 12VDC/2A Output