



Outline

See the difference with true day/night!

Lumenera's Le075 series of network cameras are designed for general security applications, providing high quality, progressive scan images.

Lumenera has simplified IP camera installation with a straightforward plug-and-play process. Intuitive user interface viewed with most web browsers provides standard camera control. Power over Ethernet (PoE) simplifies installation and reduces cabling and installation costs.

Capturing full 640x480 resolution at 70 frames/sec, these cameras deliver outstanding picture quality and performance. Adjustable JPEG compressed still-images or live MJPEG streaming video, are provided across a standard 10/100BaseT network interface. Transfer of images via FTP, RTP or HTTP.

The I/O connector provides an interface to an external alarm sensor or control of peripheral equipment such as IR lighting and PTZ. E-mail or UDP alarm notification provides the date, time, and camera IP address. On-board memory buffers supply still images via FTP that precede and follow alarm events.

Programmable day/night settings automatically switch to enhanced low-light mode. Optional – True day/night module provides automatic sliding IR cut filter. When integrated with NIR illuminators, provides outstanding nighttime performance. DC iris lenses are supported using the industry-standard four conductor socket.

The user defined motion detection parameters across multiple zones provide more accurate triggering of alarms, while programmable privacy zones ensure compatibility with all regulations.

The Le075's compact, all-metal body can be mounted stand-alone or by means of standard environmental enclosures. Call with your enclosure requirements today.

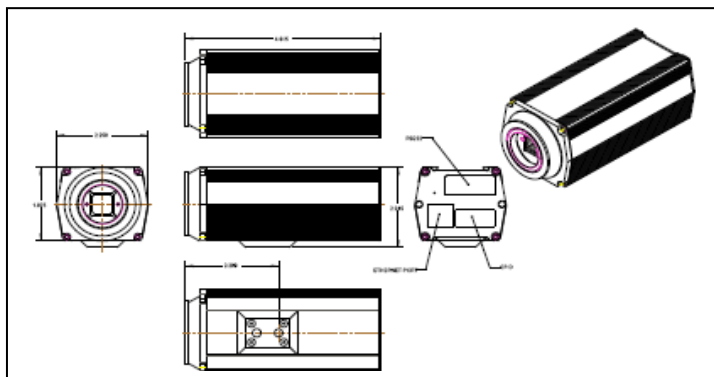
Product Features

- Easy installation and set-up
- Power over Ethernet (PoE)
- 480 lines of resolution, color or monochrome, progressive scan, 640x480 pixel sensor
- Up to 70 fps at full 640x480 (VGA) resolution
- Feature rich camera functions:
 - Auto white balance
 - Auto exposure
 - DC auto iris
 - Configurable compression ratio
 - Multiple motion detection zones
- I/O control of alarms, PTZ, lighting or other peripherals
- Optional true day/night functionality
- Image transfer via HTTP, FTP or RTP
- Camera control via HTTP, XML-RPC, Telnet or Microsoft COM
- Security / password protection
- FCC Class B, CE Certified
- CS lens mount provided standard, C-mount adapter available
- Compatible with most Operating Systems (Windows Vista, Windows XP, as well as Linux and Mac)
- Full one (1) year warranty

Specifications

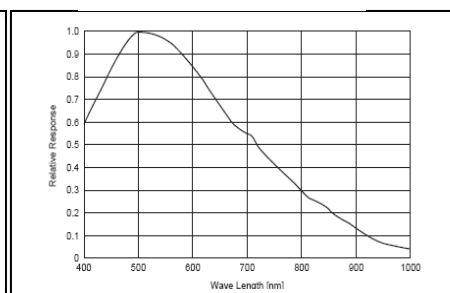
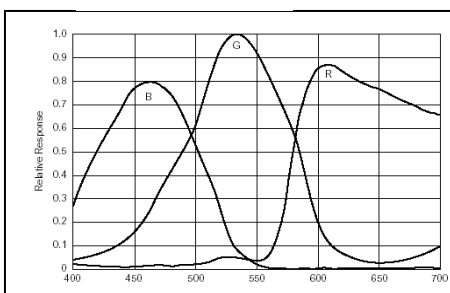
Le075

Image Sensor	1/3" format, CCD, color or mono, 5.79mm x 4.89mm array
Effective Pixels	640x480, 7.4µm square pixels
Frame Rate	Captures 70 fps at 640x480, 100+ fps at 320x240 (binned)
Dynamic Range	60dB
Sensitivity	0.1 lux at F 1.0
Auto Exposure	Automatic / Manual
White Balance	Automatic / Manual
Dimensions (W x H x D)	1.9" x 2.25" x 5.5" (not including lens)
Mass	~300g
Power Requirement	1EEE 802.3af Power over Ethernet, (power mode "A") or external 12VDC
Power Consumption	<4 Watts
Operating Temperature	-10° C to +50° C (environmental enclosure will provide extended temperatures with fan / heater)
Operating Humidity	5%-95%, Non-condensing
Interface Connector	RJ45 Cat 5e twisted pair cable, 10/100baseT Ethernet, PoE
Lens Mount	Adjustable CS-Mount (lens not included)
Image Buffer	64 MB upgradeable to 128 MB (thousands of full resolution JPEG images)



Color Response

Monochrome Response



Recommended PC Specifications

O/S: Windows XP (SP 2) or Vista
 CPU: 2.8GHz or above Pentium computer (required for full frame rate preview)

600Mhz or above Pentium compatible computer (for basic functionality)

Network: 100 Mbps Ethernet LAN, PoE
 Browser: Internet Explorer v7.0

Ordering Information

- Le075CP – VGA PoE Color Camera
- Le075MP – VGA PoE Monochrome Camera
- Le075CP-DN – VGA PoE Color Camera with optional Day/Night
- Le075CP-MM – Extended 128 MB Memory Option
- Le075MP-MM – Extended 128 MB Memory Option
- Le075CP-DN-MM – Extended 128 MB Memory Option
- Lu8501 – Power Supply w International Plugs 12VDC/2A Output